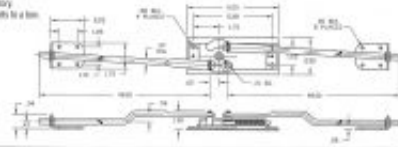


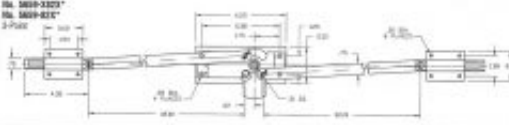
No.	Options	Variations	Weight
5640-3LJ	2-Point	With handle and handle-disconnect feature, zinc aluminum lumber	4.80 lbs.
5640-3LJ	2-Point	With handle and handle-disconnect feature, zinc aluminum lumber	5.25 lbs.
5640-3232*	2-Point	4 bolts per box with zinc aluminum lumber	6.00 lbs.
5640-366LJ	2-Point	Center case for 2-point lock	1.13 lbs.
5640-54		Rod guide	1.4 lbs.
5641-4232*	2-Point	4 bolts per box with zinc aluminum lumber	4.12 lbs.
5641-588LJ		Center case for 2-point lock	1.20 lbs.
5658-8232*	2-Point	Tapered shaft bolts with zinc aluminum lumber, 4 bolts per box	5.13 lbs.
5658-8232*	2-Point	Tapered shaft bolts with zinc aluminum lumber, 4 bolts per box	5.57 lbs.
6-5640-32LJ	2-Point	Same as 5640-32LJ except with at center case measures 2.22" and has 25 mil lip corners	1.08 lbs.
61-5647-588	2-Point	Same as above except 2-Point	1.05 lbs.

*Other variations available. Consult factory
 *525 and 32X indicates jacketed bar sets for a box

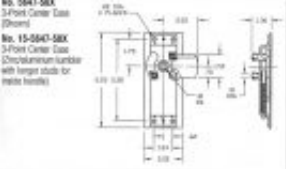
No. 5640-3232*
 2-Point



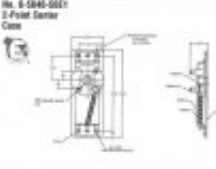
No. 5640-3232*
 2-Point



No. 5647-588
 2-Point Center Case (Shower)



No. 6-5640-32LJ
 2-Point Center Case



Product Type: [Dead Bolt Cabinet Locks](#)

Product Name: [2-Point Dead Bolt Lock Kit](#)

Product Attributes

Product Attributes:

Item #: 5658-82X-ZN
 Material: Steel
 Item Name: Deadbolt Lock Kit
 Type: 2 Point
 Rod: Flat
 Finish: Zinc
 Variations: 32" Rod
 Weight: 5.2
 List Price: 53.02

Product Specifications:

Product Name	2-Point Dead Bolt Lock Kit
Material	Steel
Type	2 Point
Rod	Flat
Finish	Zinc
Variations	32" Rod
Note	